

## Product information sheet FWD Medium

Item no. 526647

### Benefits

---



- Advanced model for the regular disposing of normal household amounts of food waste
- Optimal interface management for BLANCO sinks and bowls
- High quality and powerful AC induction motor
- Easy to install thanks to 3 bolt installation system
- Grinding components made of stainless steel
- 3 grinding stages for very fine grinding results
- Volume of grinding chamber 1200 ml

## Planning information

---

- 3 ½" sink outlet required
- Product weight: 10.2 kg
- Non-detachable 90 cm power cord
- Reset-button on bottom of the FWD (note accessibility)

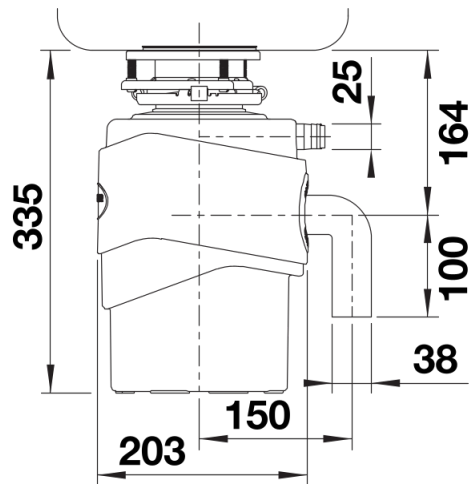
## Scope of supply

---

- Removable baffle
- Plug and strainer to close drain
- Air switch with cover in chrome and PVD steel
- L-pipe with dishwasher or overflow connection
- Overflow connection for BLANCO sinks
- Wrench for mounting and free blockage

## Details

---



Side view

## Specification

---

auto-reverse function: No  
automatic shutdown: Yes  
dishwasher connection: Yes  
feeding type: continuous  
frequency: 50 Hz  
grinding chamber capacity: 1200 ml  
grinding components material: stainless steel  
max. power consumption (W): 750 W  
motor type: AC  
mounting type: 3 bolt installation  
overload protection: Yes  
power plug type: E+F  
rated current: 10 A  
RPM: 1470 r/min  
voltage: 230 V

---

View our how-to videos to learn more about installing and caring for BLANCO products:  
<https://www.blanco.com/fwd-installation>



## FAQ

de.espirit.firstspirit.access.editor.value.DomElementImpl@4f9615b4

<https://www.blanco.com/int-en/waste-management/food-waste-disposer/>

---

While BLANCO strives to provide accurate information, all images and dimensions in this document are intended for reference only and are subject to change at any time without notice. This document is not intended for use as an installation guide. For technical installation details, refer to installation instructions provided with the product. BLANCO assumes no responsibility for the use of superseded or voided specifications.